



Intellectual
Property
Office

Certificate of Registration for a UK Design

Design number: 6293255

Grant date: 06 July 2023

Registration date: 29 June 2023

This is to certify that,

in pursuance of and subject to the provision of Registered Designs Act 1949, the design of which a representation or specimen is attached, had been registered as of the date of registration shown above in the name of

Dr. Jambi Ratna Raja Kumar, Dr. Mona Girish Deshmukh, Dr. Janardan Singh

Chauhan, Viswanatha Reddy Allugunti, Dr. Kishor Bhaskar Waghulde, Dr. Babji

Prasad Chapa

in respect of the application of such design to:

Intelligent Transport Locations Display and Management Server Device

International Design Classification:

Version: 14-2023

Class: 14 RECORDING, TELECOMMUNICATION OR DATA PROCESSING
EQUIPMENT

Subclass: 02 DATA PROCESSING EQUIPMENT AS WELL AS PERIPHERAL
APPARATUS AND DEVICES

Adam Williams

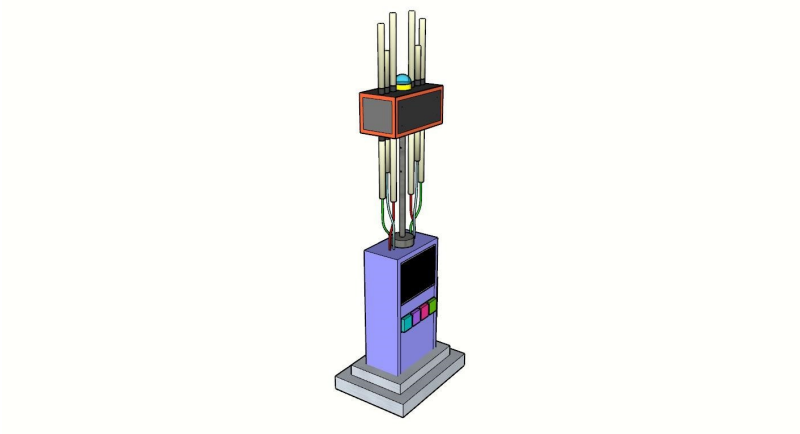
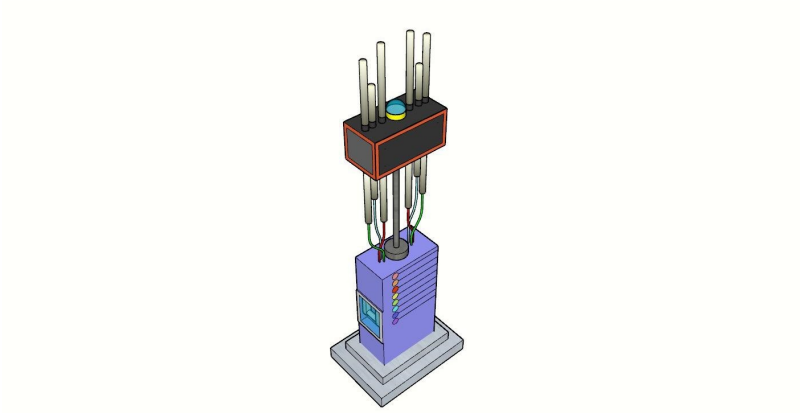
Comptroller-General of Patents, Designs and Trade Marks

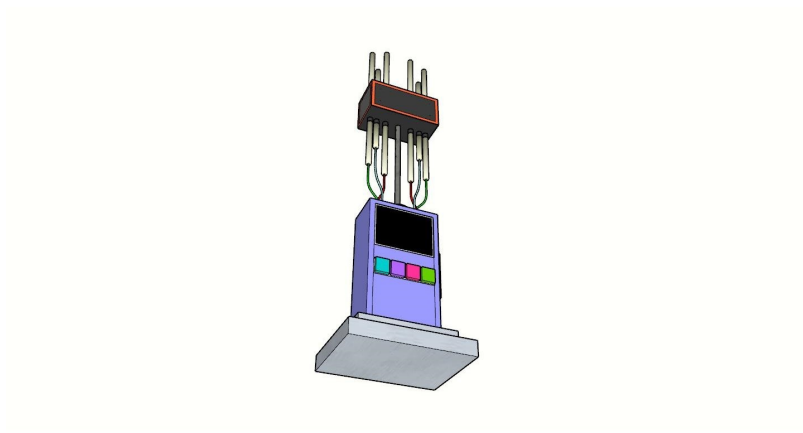
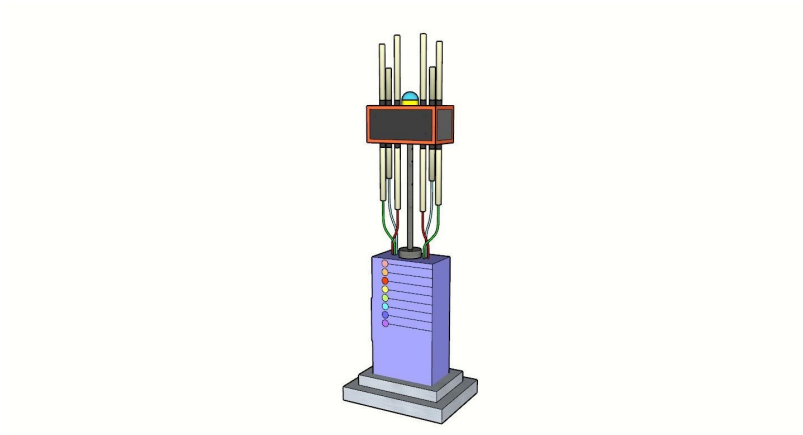
Intellectual Property Office

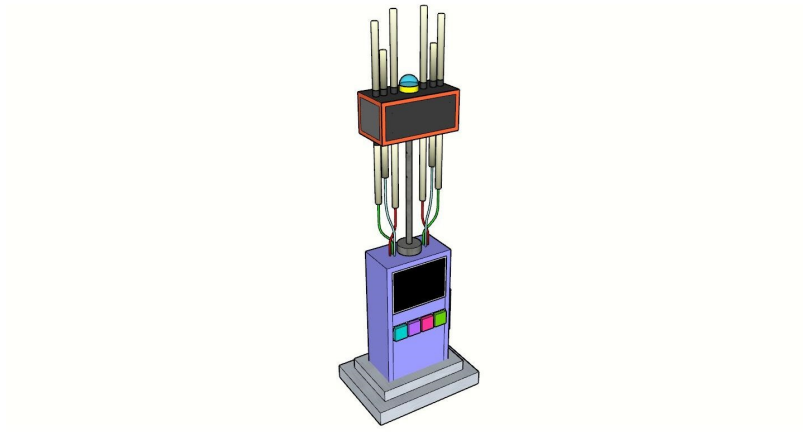
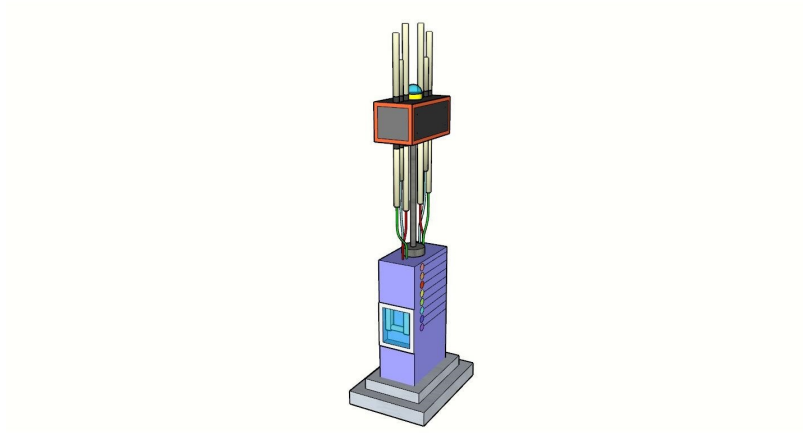
The attention of the Proprietor(s) is drawn to the important notes overleaf.

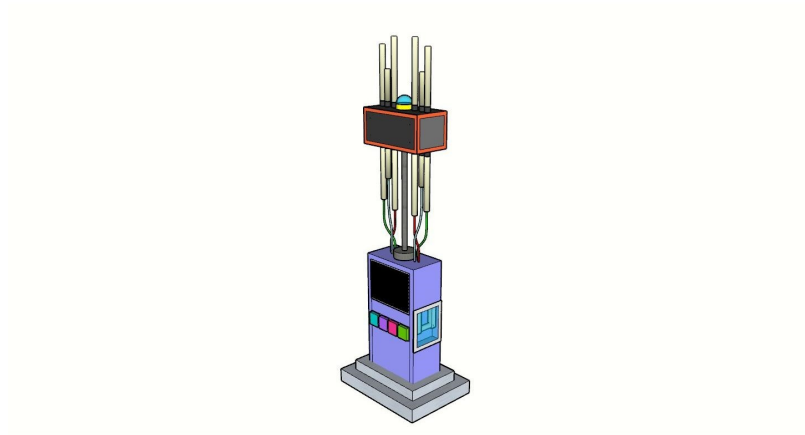


Representation of Designs









Intellectual Property Office is an operating name of the Patent Office

www.gov.uk/ipo